

PROOFF

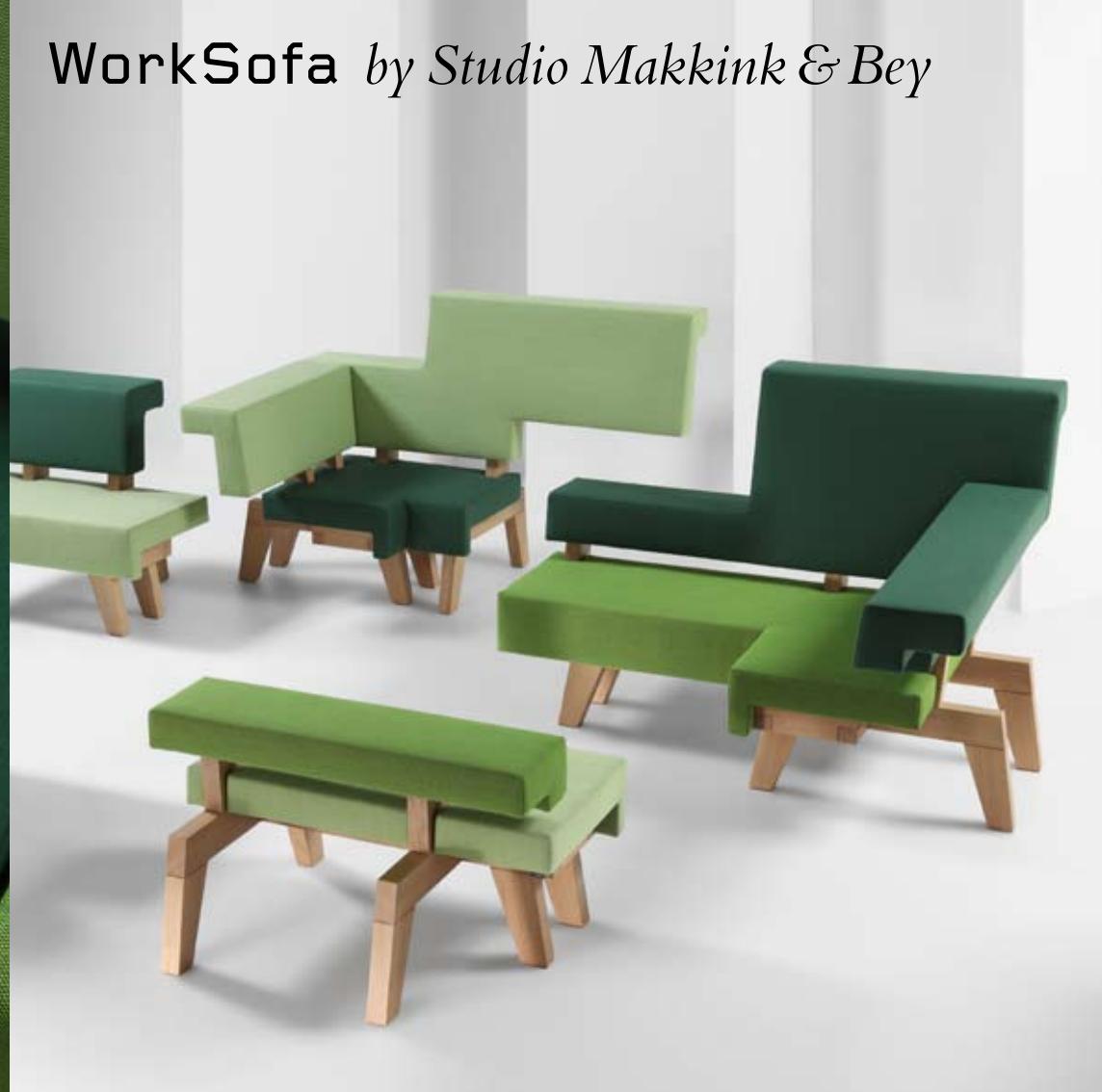
#002 WorkSofa

by Studio Makkink & Bey

PROOFF #002

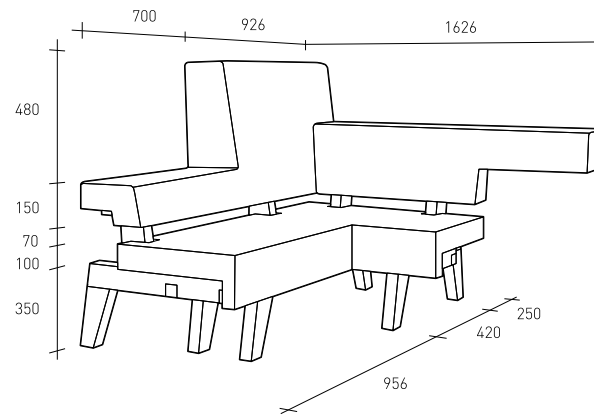


WorkSofa *by Studio Makkink & Bey*

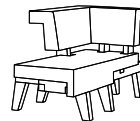




#002 WorkSofa



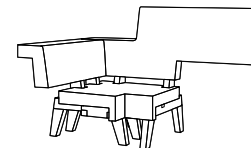
Type 1



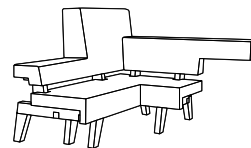
Type 2



Type 3



Type 4



Type 5



Type 6



#002 WorkSofa

Communiceren wordt ontmoeten. Staand, zittend, hangend, dichtbij, naast of tegenover.

A meeting place promotes communication. Standing. Sitting. Lounging. Close-up. Next to or from across.