



NOTE DESIGN STUDIO



TEMBO

Stool ●● 2011



MATERIALS & FINISHES

FINISHES

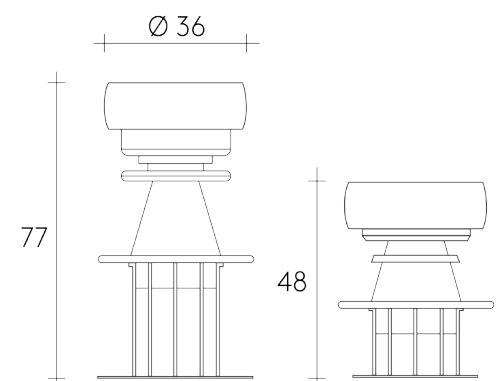
-  Shades of black body & mat black metal structure
-  Color body (green, blue, orange and yellow) & shiny lacquered orange structure.

MATERIALS

- Solid wood
- Metal
- Lacquered MDF
- Solid cork

DIMENSIONS & WEIGHT

	TEMBO	WITH PACKAGING
HEIGHT	48 or 77cm / 19 or 30in.	50 or 80cm / 20 or 32 in.
WIDTH	36cm / 14in.	40cm / 16in.
DEPTH	36cm / 14in.	40cm / 16in.
WEIGHT	14 or 17kg / 30 or 37lbs.	16 or 20kg / 35 or 44lbs.



OTHER DETAILS

TECHNICAL INFORMATION	2 sizes available Delivery : in stock
PACKAGING	1 thick cardboardbox
MAINTENANCE	Always use a microfiber cloth and rub lightly. Never apply any solvents.