

TECHNICAL SPECIFICATION

Paragüero Barcelonés

Pep Bonet
2000



COMPONENTS, MATERIALS and FINISHES

Base, sides and bowl in AG3 cast aluminium with an anodized ripple finish.

Separating rods in polished AISI 304 stainless steel.

Inox screws.

DIMENSIONS and WEIGHT

59 x 16 x h.56 cm

23 1/4" x 6 1/2" x 22"

6 Kg

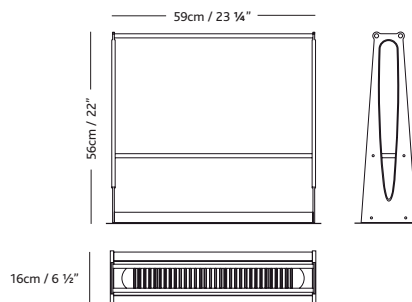
13,22 lbs

PACKAGING

Every umbrella stand will be delivered duly protected inside a cardboard box.

CLEANING AND MAINTENANCE

The table should be cleaned with a damp cloth using only water or a mild soap. It is recommended that an organic flannel be used. Do not use cleaning products containing solvents or alcohol, or any other derivatives.



BD Barcelona Design

Ramon Turró, 126 / 08005 Barcelona

Tel +34 93 458 69 09 / Fax +34 93 207 36 97

bd@bdbarcelona.com / www.bdbarcelona.com

Oficina Técnica

Carretera Capellades / km 22,750

Narcís Monturiol, 7 / Pol. Ind Sesrovires

Sant Esteve de Sesrovires / 08635 Barcelona

Tel +34 93 771 30 51 / Fax +34 93 771 32 32